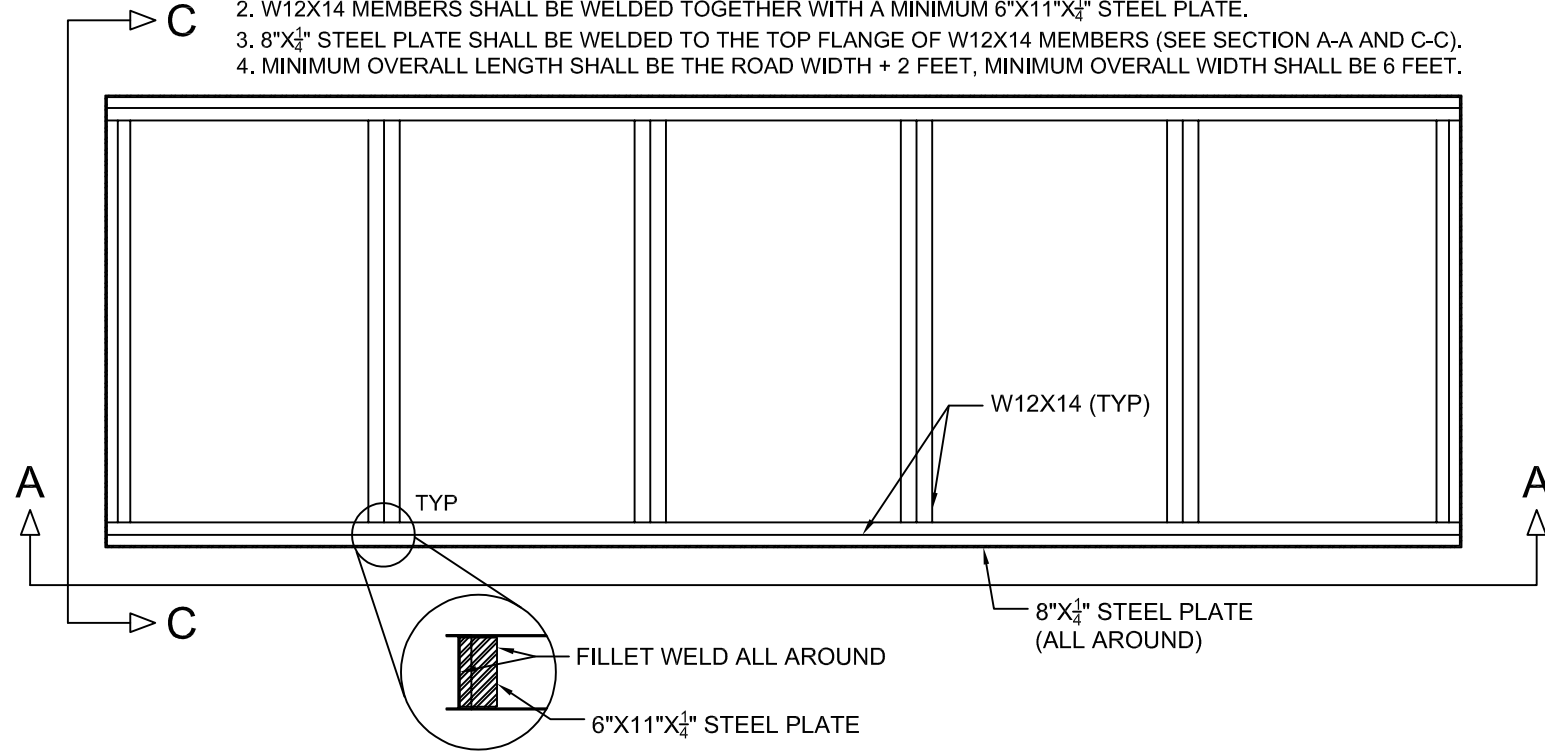
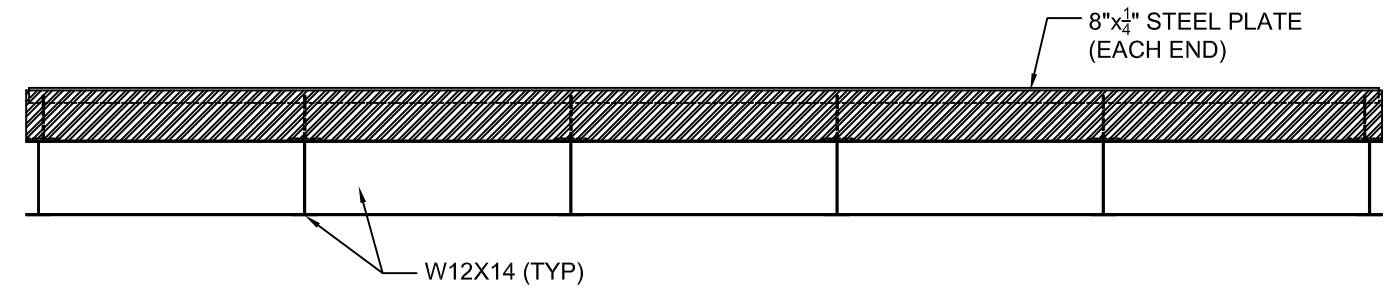


## SUPPORT FRAME

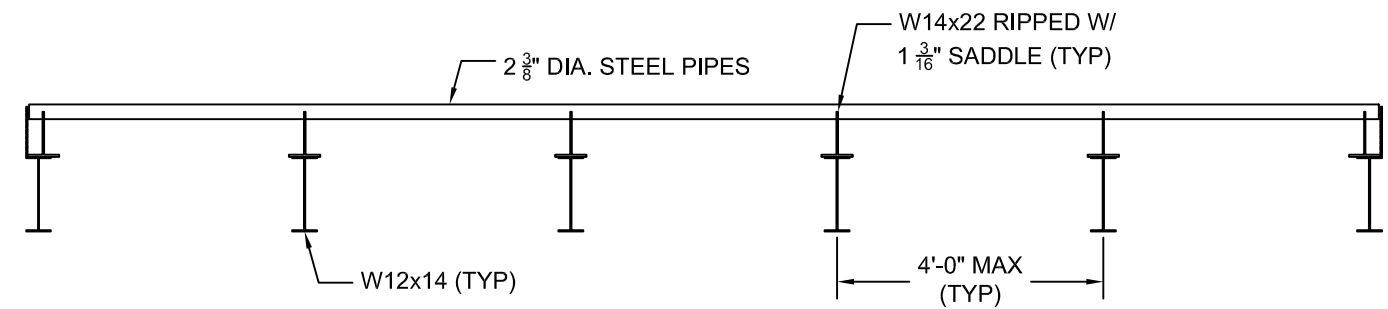
1. CATTLE GUARD SUPPORT FRAME CONSISTS OF W12X14 STEEL BEAMS AND 8"x $\frac{1}{4}$ " STEEL PLATE.
2. W12X14 MEMBERS SHALL BE WELDED TOGETHER WITH A MINIMUM 6"x11"x $\frac{1}{4}$ " STEEL PLATE.
3. 8"x $\frac{1}{4}$ " STEEL PLATE SHALL BE WELDED TO THE TOP FLANGE OF W12X14 MEMBERS (SEE SECTION A-A AND C-C).
4. MINIMUM OVERALL LENGTH SHALL BE THE ROAD WIDTH + 2 FEET, MINIMUM OVERALL WIDTH SHALL BE 6 FEET.



## SECTION A-A

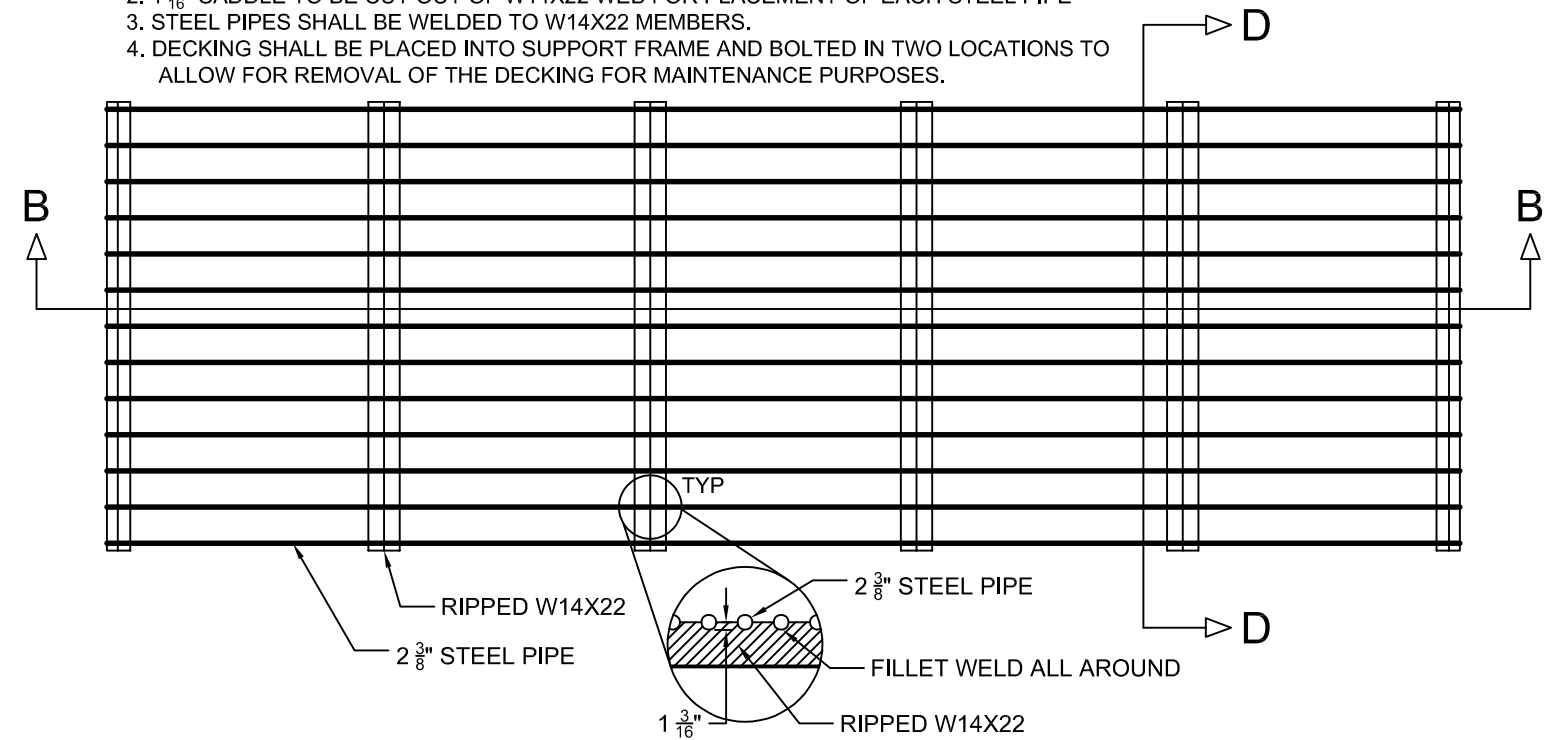


## SECTION B-B

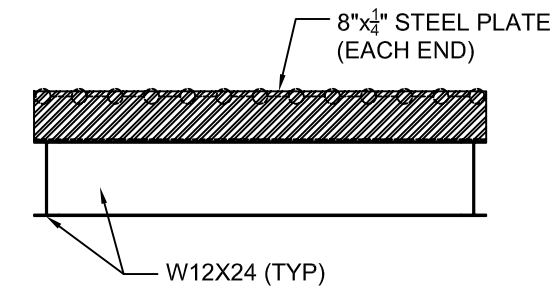


## DECKING

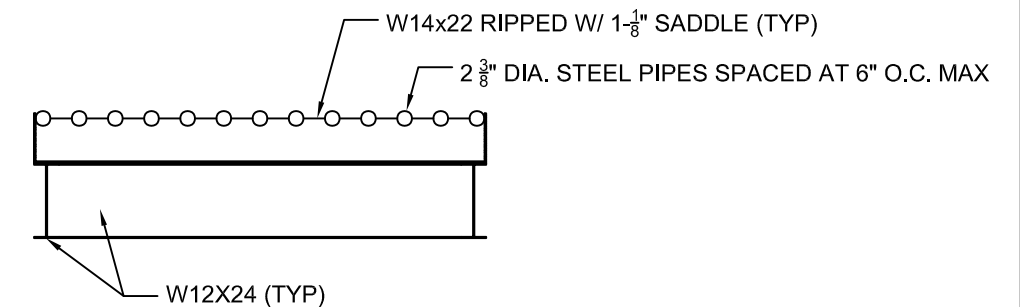
1. CATTLE GUARD DECKING CONSISTS OF W14X22 STEEL BEAMS, RIPPED, AND 2  $\frac{3}{8}$ " STEEL PIPES
2. 1  $\frac{3}{16}$ " SADDLE TO BE CUT OUT OF W14X22 WEB FOR PLACEMENT OF EACH STEEL PIPE
3. STEEL PIPES SHALL BE WELDED TO W14X22 MEMBERS.
4. DECKING SHALL BE PLACED INTO SUPPORT FRAME AND BOLTED IN TWO LOCATIONS TO ALLOW FOR REMOVAL OF THE DECKING FOR MAINTENANCE PURPOSES.



## SECTION C-C



## SECTION D-D



# GILLESPIE COUNTY CONSTRUCTION DETAILS

## CATTLE GUARDS

REVISED APRIL 2024